

MV-CE013-50GM/GC

1.3MP; 1/3" CCD GigE Camera



Key Features:

- Gigabit Ethernet interface providing 1Gbps bandwidth; Transmitting distance can be 100m without relaying.
- 128MB on-board buffer, for image burst transmitting and retransmitting.
- Support auto exposure control, LUT and Gamma correction.
- Cameras can be synchronized with hard trigger and soft trigger.
- Different exposure modes can be used to capture image.
- Embed special color interpolation algorithm which reproduces color performance better and supports auto white balance function.
- Compliant with GigE Vision V1.2, can be supported by third party software

Typical Applications:

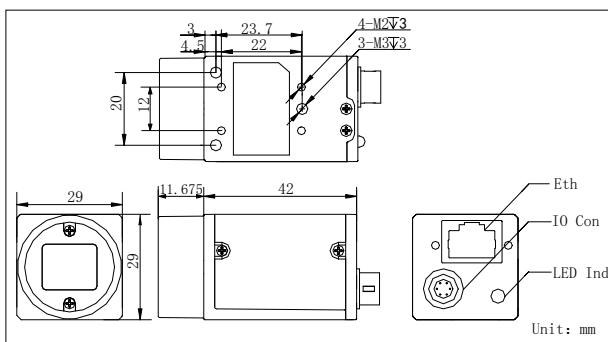
- Electronic semiconductor
- Factory automation
- Quality Inspection

Part No:

Mono: MV-CE013-50GM

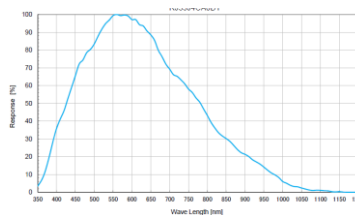
Color: MV-CE013-50GC

Dimension:

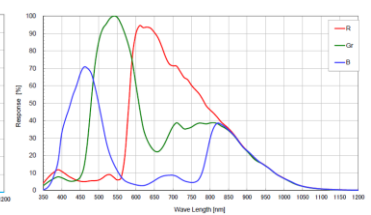


Technical Specifications:

Part No	MV-CE013-50GM	MV-CE013-50GC
Spec	1.3MP; 1/3" CCD GigE Camera	
Camera		
Sensor	1/3" Global Shutter CCD	
Resolution	1280×960	
Pixel Size	3.75 μm×3.75μm	
Framerate	30fps@1280×960 Mono8	30fps@1280×960 YUV 30fps@1280×960 Bayer8
Dynamic Range	>60dB	
SNR	>37dB	
Gain Range	0-20dB	
Exposure Time	34μs-1sec	
Shutter Mode	Global shutter; Auto-exposure; Manual exposure, and One-key exposure	
Network	Gigabit Ethernet	
General Purpose I/O	Opto-isolated input *1 Opto-isolated output *1 Bi-directional non-isolated I/O *1	
Image Buffer	128MB	
Data Format	Mono 8/10/10p/12/12p	Mono8/10/12, Bayer GR 8/10/10p/12/12p, YUV 422 8 UYVY, YUV 422 8,RGB8
General		
Power	<2.6W@12VDC, Voltage 5~15VDC, PoE Supported	
Temperature	Working Temperature 0~50℃, Storage Temperature -30~70℃	
Dimension	29mm×29mm×42mm	
Weight	Approx. 68g	
Lens Interface	C-Mount	
Software	MVS or Third-Party Software supporting GigE Vision Protocol	
Operating System	Windows XP/7/8 32/64bits	
Compliance	GigE Vision	
Certification	CE, FCC, RoHS	



MV- CE013-50GM Spectral Response



MV- CE013-50GC Spectral Response

Accessories:

Power: 12V @1A power adapter

NIC: Intel Pro1000 and above version recommended

Network Cable: CAT5e or CAT6 network cable recommended